

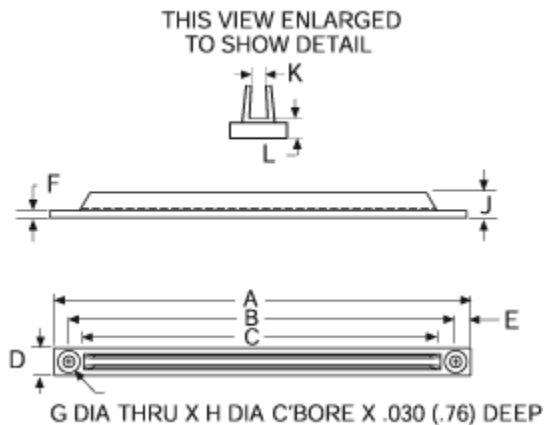
8827 Series Card Guides

RoHS Compliant

This series offers improved packaging flexibility with virtually unlimited board spacing. PC boards are easier to assemble and therefore, much more accessible. They are firmly bolted or riveted in place for secure mounting in high shock or vibration applications. Material is UL 94 V-O rated nylon 6/6 per ASTM 4066-82-PA 111.

Note: It is recommended that mounting holes be slotted or elongated for ease of assembly. Pylons press-fit into 4.75mm (.187") dia. holes in material 1.17mm (.046") to 2.36mm (.093") thick.

Shallow channel card guide takes less PC board space. Card guide snaps into 1.57mm (.062") PC board with press-fit pylons and may be mounted in tandem. Material is UL 94 V-O rated nylon 6/6 per ASTM 4066-82-PA111.



	A +/- .76 (.030)	B +/- .76 (.010)	C +/- .76 (.030)	D	E	F	G	H	J	K	L
8827-5	127.00 (5.000)	120.65 (4.750)	114.30 (4.500)	5.84 (.230)	3.18 (.125)	1.57 (.062)	2.41 (.095)	4.70 (.185)	5.33 (.210)	1.60 (.063)	2.03 (.080)