
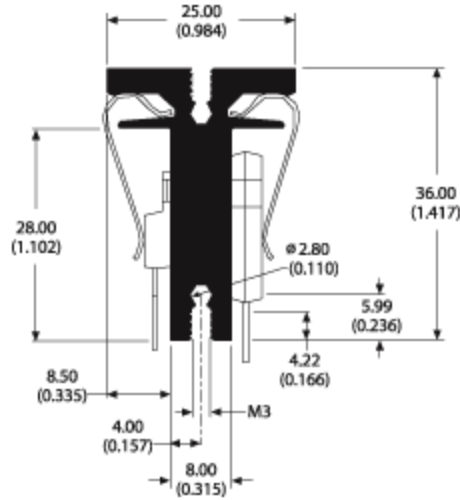


Part Number - 782003U04000G

	Part Number	Thermal Resistance °C/W at 3in length	Width in	Height in	Surface Area in ² /in	Weight lb/ft
	78200	9.86	0.98	1.42	7.1	0.60



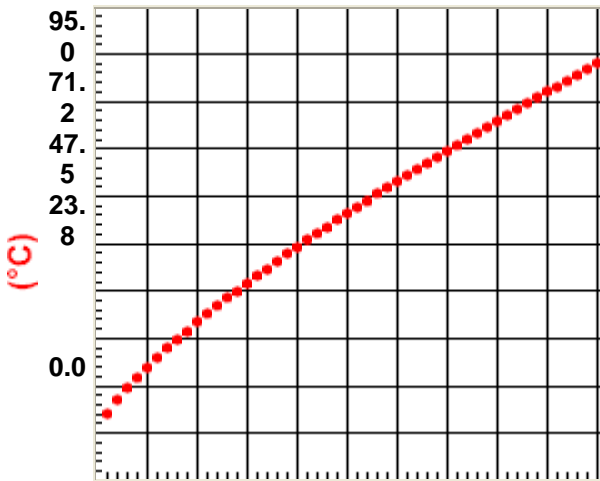
Thermal Curves

based on 3.000 in length

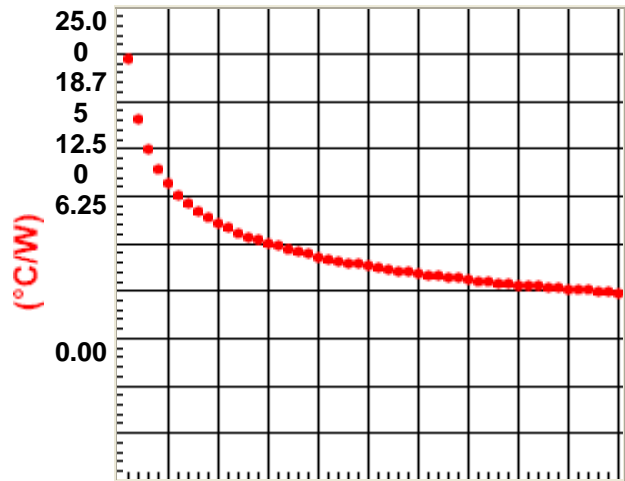
Natural Convection

Heat Sink Temperature Rise Above Ambient

Heat Sink Thermal Resistance



Power Dissipated (W)

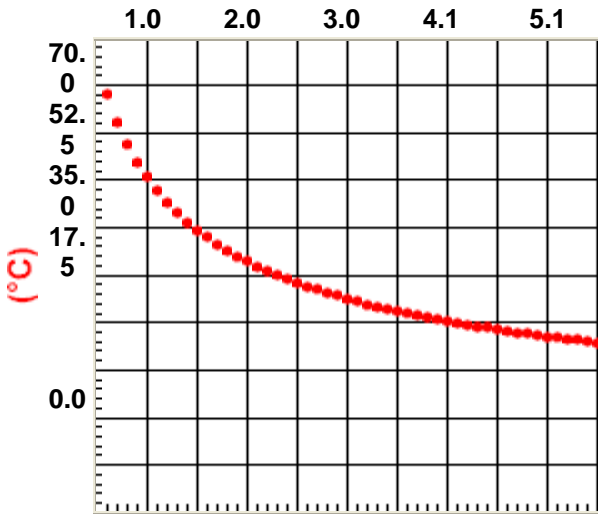


Power Dissipated (W)

Forced Convection

Heat Sink Temperature Rise
Above Ambient (10W Dissipated)

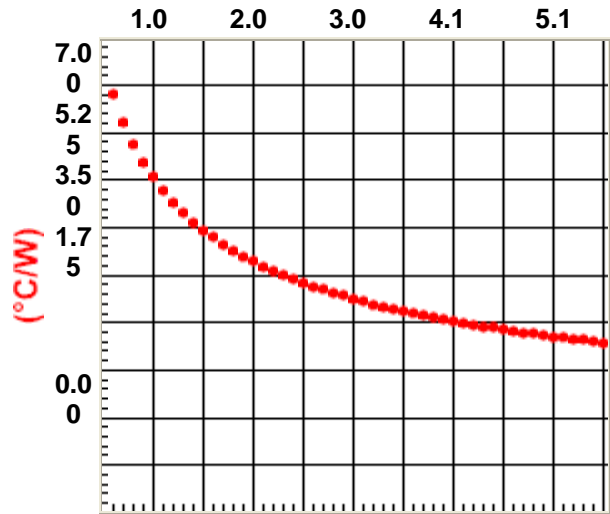
Air Flow (m/s)



Air Flow (LFM)

Heat Sink
Thermal Resistance

Air Flow (m/s)



Air Flow (LFM)

Building a Part Number (Full Bar Length = 8.20ft)

Base Part #	Bar Length	Finish	Length (use zeros for full or half bars)
78200	<u>1</u> Full	<u>E</u> Unfinished	0 0 0 0 0
	<u>2</u> Half	<u>E</u> Unfinished	0 0 0 0 0
	<u>3</u> Custom	<u>B</u> Black Anodized <u>C</u> Gold Chromate <u>U</u> Unfinished* <u>V</u> AavSHIELD ³	<i>indicate length in inches to three decimal places;</i> 1 5 2 5 0 = 15.250 "

78200 _ _ _ _ _

*For unfinished extrusions with cut lengths other than half bar, the finish designation is a U. Standard Aavid Thermalloy parts require all 12 positions to be complete.