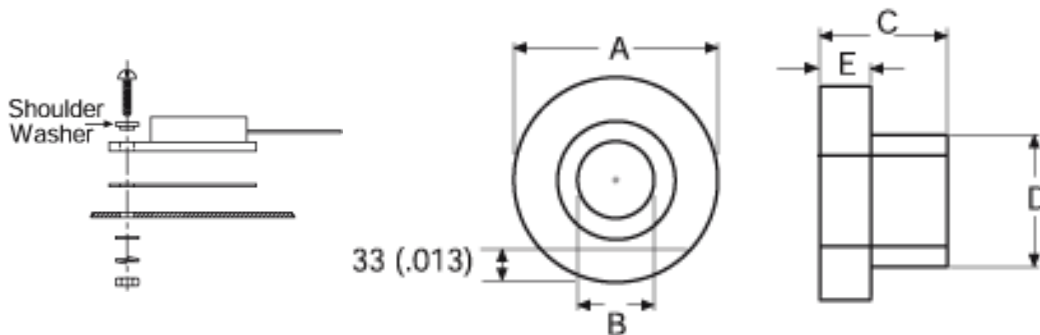


# Insulating Nylon Shoulder Washers

RoHS Compliant

## 7721-14N

Formerly Motorola  
p/n B51547F018



- 40% glass filled polyphenylene sulfide (PPS).
- Chemically inert [no known solvents under 200°C (392°F)]
- Maximum recommended service temperature of 260°C (500°F)
- Recommended torque is 0.565Nm to 0.678Nm (5 to 6 inch-pounds) on all shoulder washers except -7, which has recommended torque of 0.452Nm (4 inch-pounds).

Model	RoHS	PCN	A	B	C	D	E
<b>7721-14N</b> Formerly Motorola p/n B51547F018	<b>RoHS ✓ Compliant</b>	N/A	6.40 / 6.60 (0.252 / .260)	2.90 / 3.10 (0.114 / .122)	2.69 / 2.90 (0.106 / .114)	3.89 / 4.09 (0.153 / .161)	