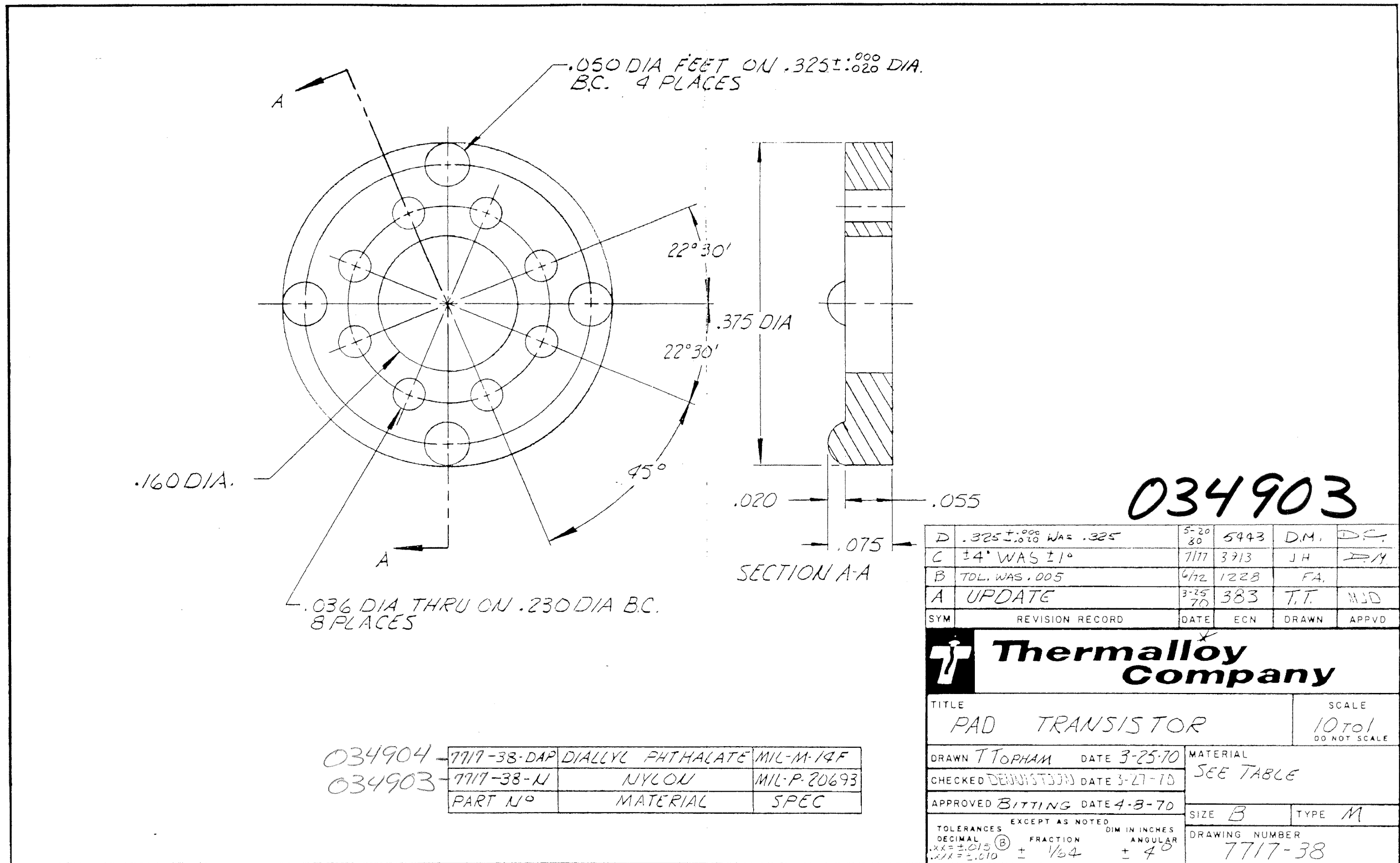


034903

REVISION RECORD			
ECN NO.	CUSTOMER REV	AAVID REV	DATE
11643	D	A	1-24-01

034904

REVISION RECORD			
ECN NO.	CUSTOMER REV	AAVID REV	DATE
11643	D	A	1-24-01



034903

034904	7717-38-DAP	DIALLYL PHTHALATE	MIL-M-14F
034903	7717-38-N	NYLON	MIL-P-20693
	PART NO	MATERIAL	SPEC

D	.325 ± .020 WAS .325	5-20 80	5443	D.M.	DC.
C	±4° WAS ±1°	7/77	3713	JH	JY
B	TOL. WAS .005	6/72	1228	FA.	
A	UPDATE	3-25 70	383	T.T.	MJD
SYM	REVISION RECORD	DATE	ECN	DRAWN	APPVD

Thermalloy Company

TITLE	PAD TRANSISTOR	SCALE	10 to 1 DO NOT SCALE
DRAWN	T TOPHAM	DATE	3-25-70
CHECKED	DEWISTON	DATE	3-27-70
APPROVED	BITTING	DATE	4-8-70
TOLERANCES EXCEPT AS NOTED	DIM IN INCHES		
DECIMAL	FRACTION	ANGULAR	
± .015	± 1/64	± 4°	
± .010			
DRAWING NUMBER		7717-38	