

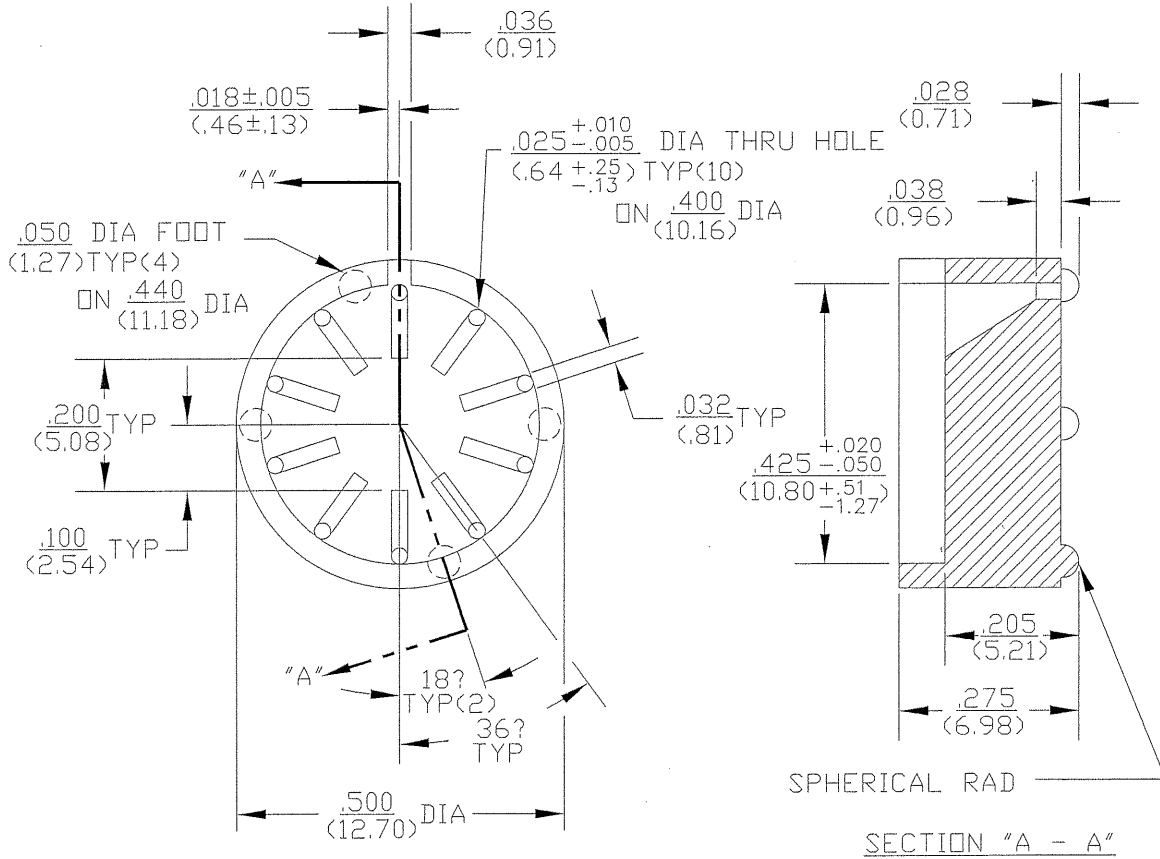
035936

REVISION RECORD			
ECN NO.	CUSTOMER REV	AAVID REV	DATE
12254	F	A	4/27/01

035937

REVISION RECORD			
ECN NO.	CUSTOMER REV	AAVID REV	DATE
12254	F	A	4/27/01

REV F      CHG'D .425 TOL      3/21/92 901860 C.H.D. D.L.B



VIS#	PART NO	MATERIAL
035936	7717-119N	NYLON PER MIL-M-20693A
035937	7717-119DAP	DIALLYL PHTHLATE PER MIL-M-14F TYPE SDG

035936

W.D.D.	6/7/66	D.BLAND	3/23/92	D.BLAND	3/23/92
TOLERANCE: .010(.25)		<b>Thermalloy Inc.</b>			
MATERIAL: SEE TABLE					
		CONVERTER - 8 LEAD INTEGRATED CIRCUIT PAD		4:1	
		DRAWING NO. 7717-119		REV F	
		N/A			