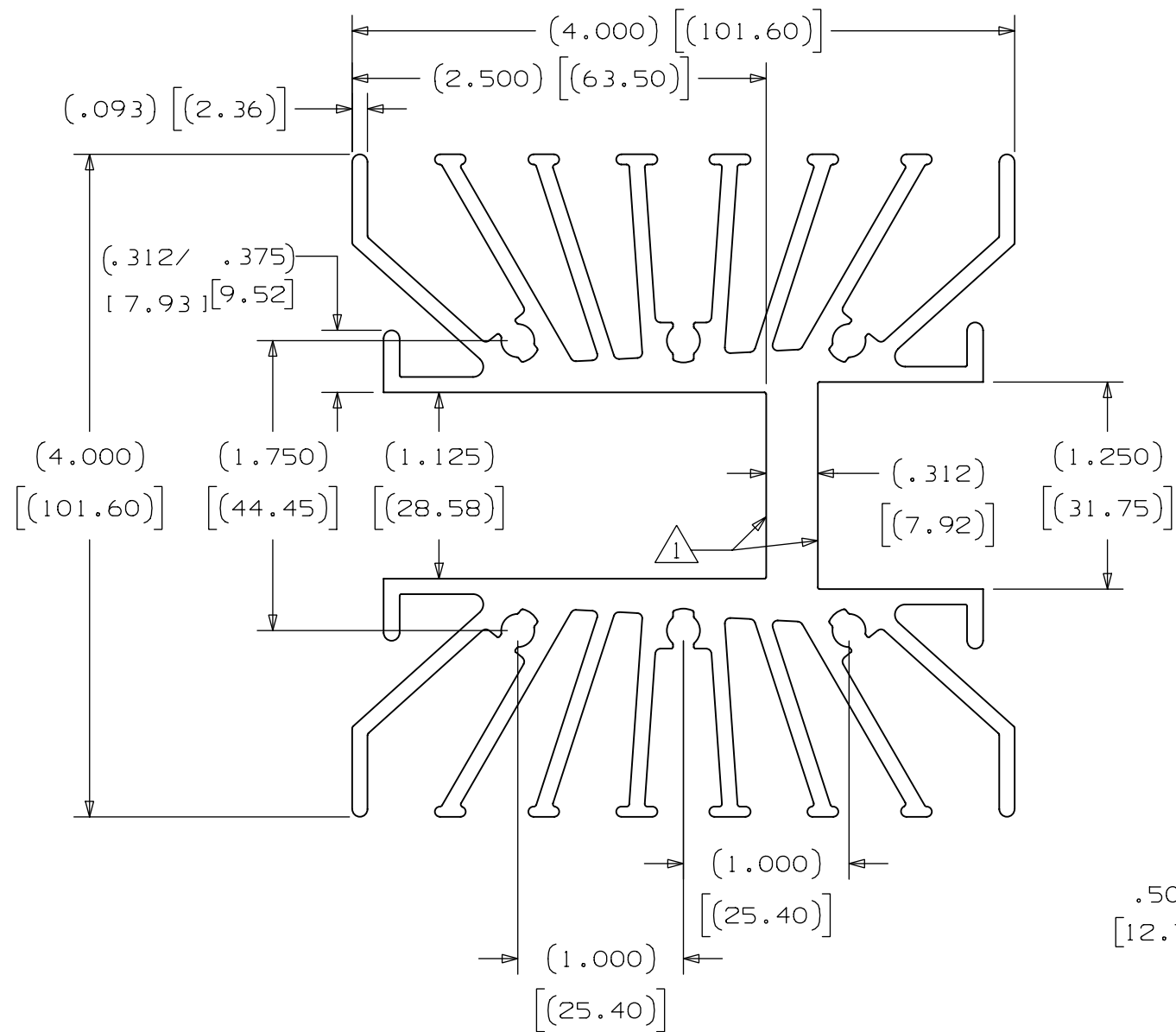
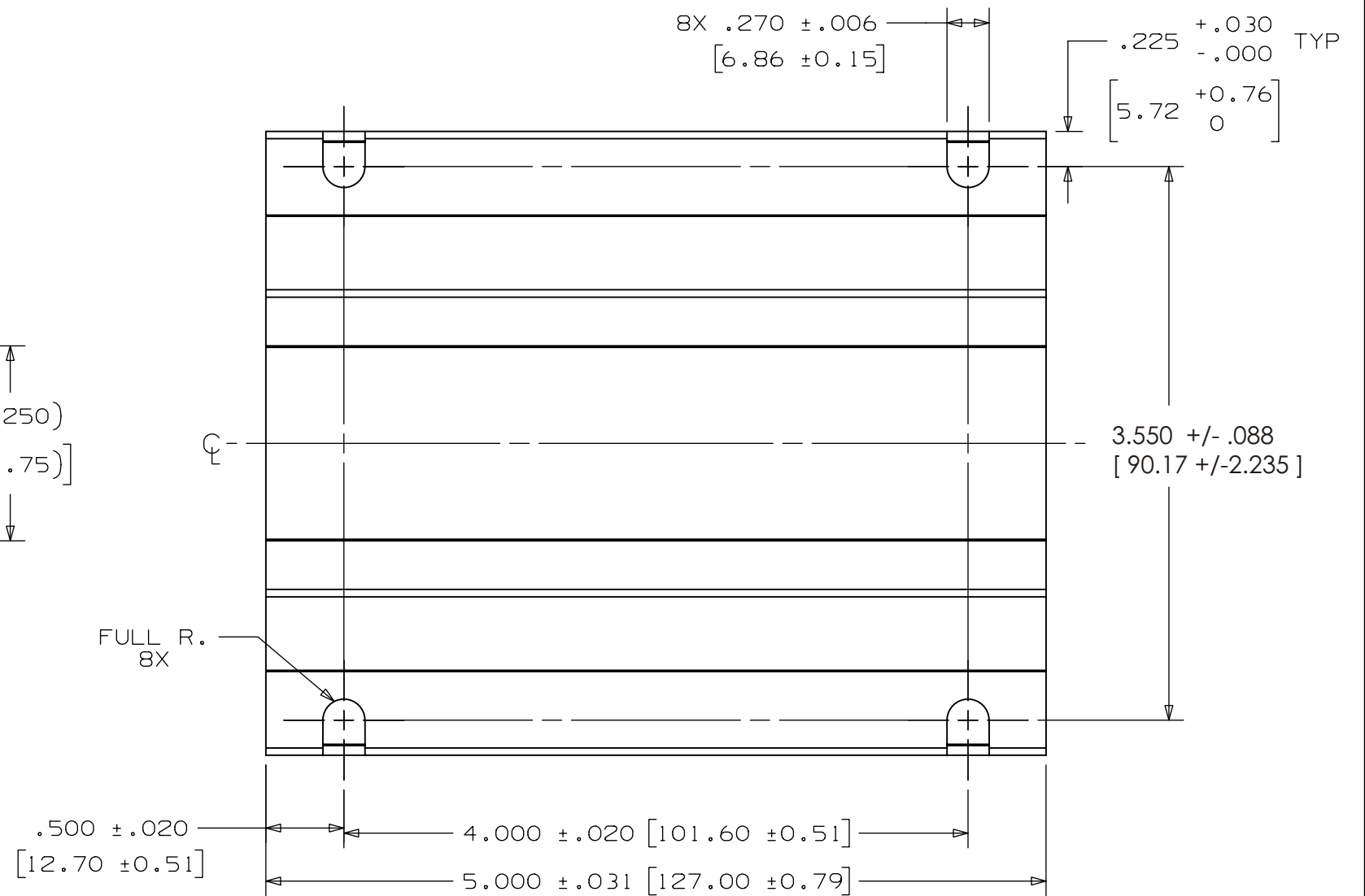


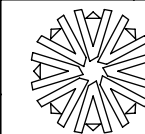
THIS DRAWING AND THE SPECIFICATIONS CONTAINED HEREIN ARE CONFIDENTIAL AND PROPRIETARY. THEY ARE THE PROPERTY OF AAVID THERMAL TECHNOLOGIES INC. AND SHALL NOT BE REPRODUCED OR COPIED OR USED IN WHOLE OR IN PART AS THE BASIS FOR THE MANUFACTURE OR SALE OF ITEMS WITHOUT WRITTEN PERMISSION. THIS IS AN UNPUBLISHED WORK PROTECTED UNDER THE FEDERAL COPYRIGHT LAWS. 1995



NOTE:  
 1. THESE SURFACES TO BE FREE OF ANODIZE



B	05/05/05	CHANGE SLOT TOL. PER ECN# 017356	SPS
A	11/01/00	RELEASED PER ECN #011155	ML
REV.	DATE	DESCRIPTION	CHK'D



**AAVID THERMALLOY**

80 COMMERCIAL ST.  
 CONCORD, N.H.  
 03301

FINISH	BLACK ANODIZE
U/O	
MAT'L	60255 (003064)
TOLERANCE	UNLESS NOTED
.XX	= ±.015 [ ±.38 ]
.XXX	= ±.010 [ ±.25 ]
ANGULAR	± 3°

DRAWING NO.		034228		
STANDARD DESCRIPTION				
THM, 11736-2 REV F				
DATE	DRAWN	CHK'D	APP'D	SCALE
11/01/00	brownt	.	SPS	1.000
REF: THM,6450B			SHEET	