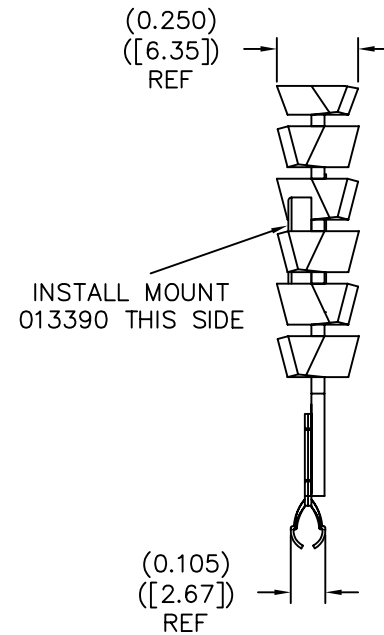
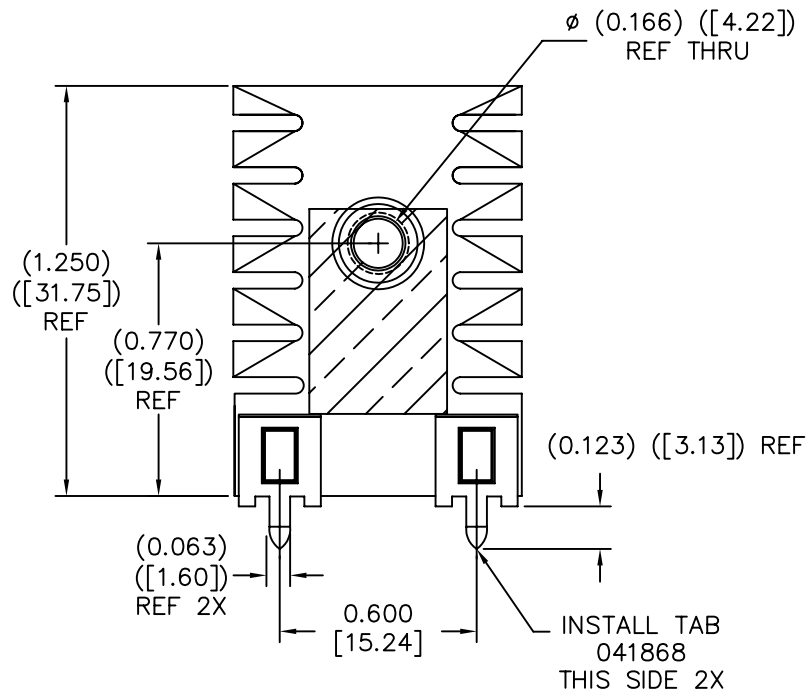
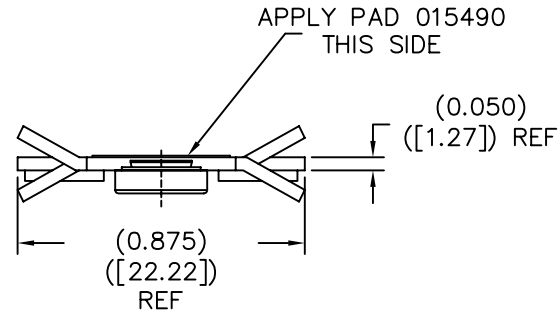



THIS DRAWING AND THE SPECIFICATIONS CONTAINED HEREIN ARE CONFIDENTIAL AND PROPRIETARY. THEY ARE THE PROPERTY OF Aavid THERMALLOY LLC. AND SHALL NOT BE REPRODUCED OR COPIED OR USED IN WHOLE OR IN PART AS THE BASIS FOR THE MANUFACTURE OR SALE OF ITEMS WITHOUT WRITTEN PERMISSION. THIS IS AN UNPUBLISHED WORK PROTECTED UNDER THE FEDERAL COPYRIGHT LAWS. 1995



**ROHS COMPLIANT**  
PER Aavid SPEC: ROHS 9000

FINISH: BLACK ANODIZE
U/O
MATERIAL: 036974
UNITS: in [mm]
TOLERANCE UNLESS NOTED .XX ± 0.015" [0.38] .XXX ± 0.010" [0.25] ANGULAR +/- 3°

A	03/30/07	RELEASE PER ECN# 002710	F Chapa
REV.	DATE	DESCRIPTION	CHK'D
		Aavid THERMALLOY 70 COMMERCIAL ST. CONCORD, NH 03301	
DRAWING NO.		044280	
STANDARD DESCRIPTION STD,592502B12801G			
DATE	DRAWN	CHK'D	APP'D
03/30/07	F Chapa	F Chapa	F Chapa
			SCALE 3:1
			SHEET 1 of 1