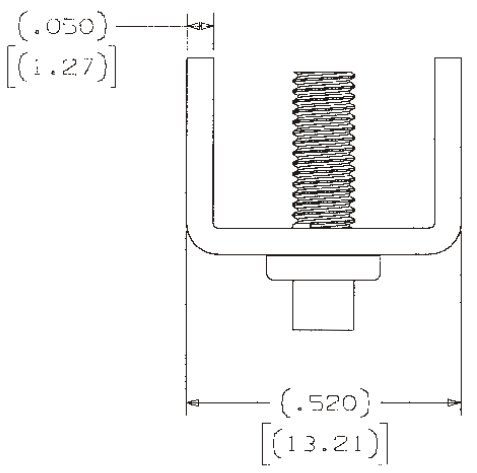
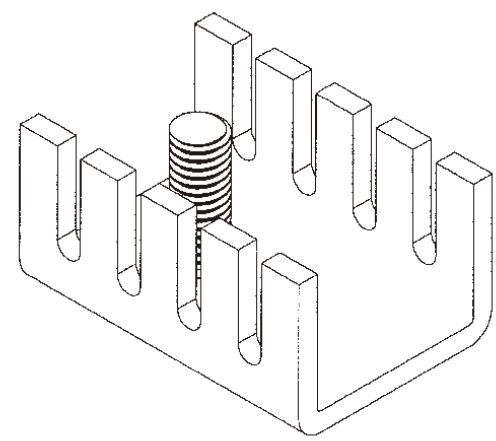
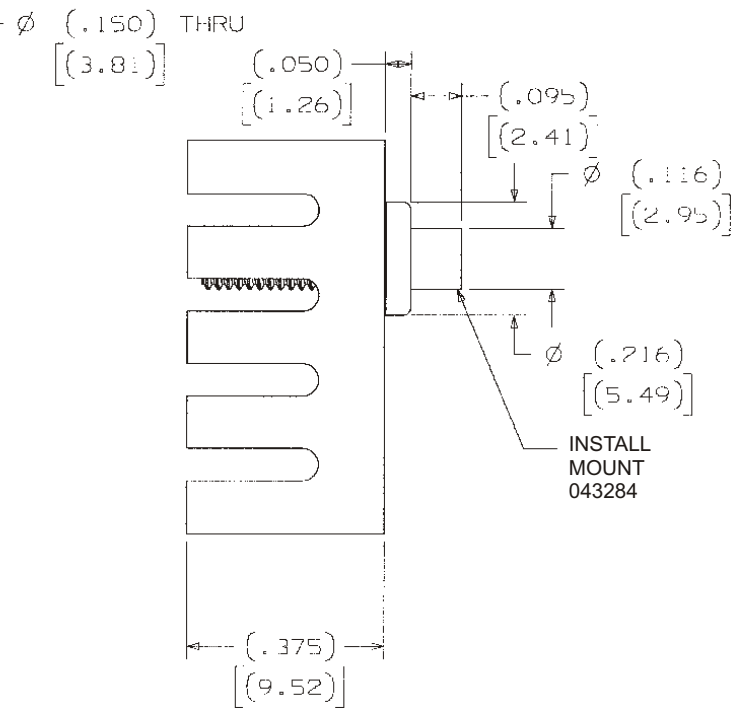
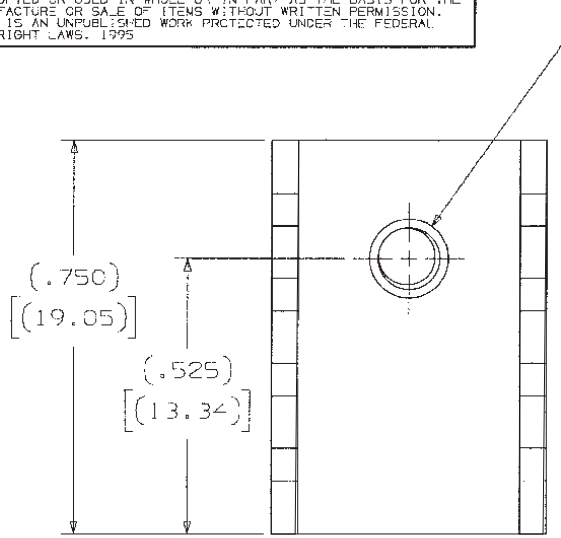



THIS DRAWING AND THE SPECIFICATIONS CONTAINED HEREIN ARE CONFIDENTIAL AND PROPRIETARY. THEY ARE THE PROPERTY OF AAVID THERMAL TECHNOLOGIES INC. AND SHALL NOT BE REPRODUCED OR COPIED OR USED IN WHOLE OR IN PART AS THE BASIS FOR THE MANUFACTURE OR SALE OF ITEMS WITHOUT WRITTEN PERMISSION. THIS IS AN UNPUBLISHED WORK PROTECTED UNDER THE FEDERAL COPYRIGHT LAWS, 1976



ROHS COMPLIANT
PER AAVID SPEC: ROHS - 9000

FINISH	BLACK ANODIZE
U/O	
MAT'L	002504
TOLERANCE	UNLESS NOTED
.XX	= ±.015 [±.38]
.XXX	= ±.010 [±.25]
ANGULAR	± 3°

A	03/20/06	RELEASE PER ECN# 002445	G.L.
REV.	DATE	DESCRIPTION	CHK'D
 AAVID THERMALLOY		80 COMMERCIAL ST. CONCORD, N.H. 03301	
		DRAWING NO. 043285	
STANDARD DESCRIPTION STD,577102B00007G			
DATE	DRAWN	CHK'D	APP'D
03/20/06	G. LARES	G.L.	
			SCALE
			4.000
			SHEET