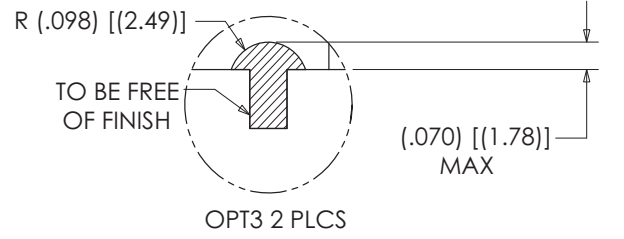
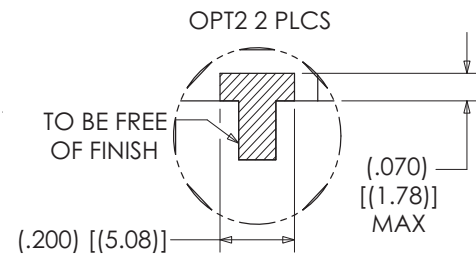
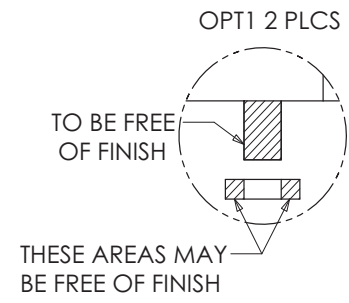
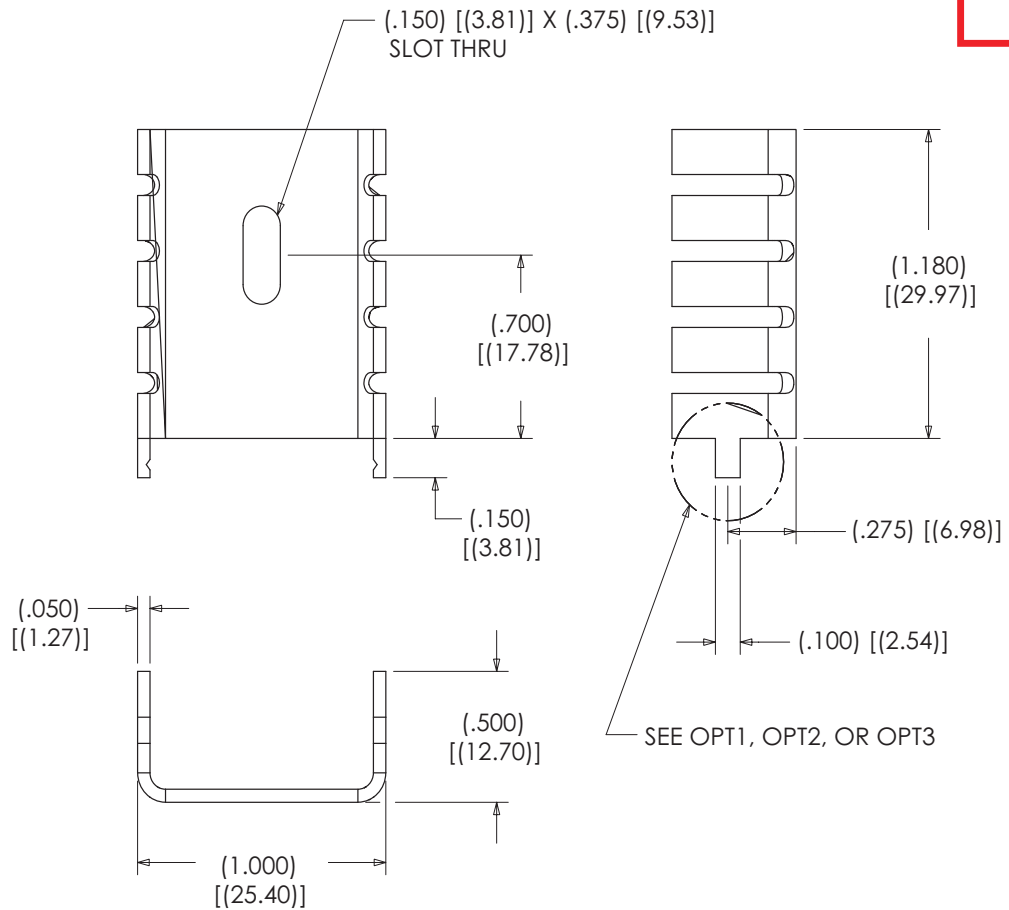
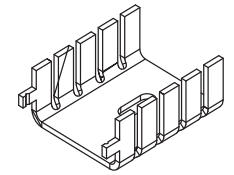


THIS DRAWING AND THE SPECIFICATIONS CONTAINED HEREIN ARE CONFIDENTIAL AND PROPRIETARY. THEY ARE THE PROPERTY OF AAVID THERMAL TECHNOLOGIES INC., AND SHALL NOT BE REPRODUCED OR COPIED OR USED IN WHOLE OR IN PART AS THE BASIS FOR THE MANUFACTURE OR SALE OF ITEMS WITHOUT WRITTEN PERMISSION. THIS IS AN UNPUBLISHED WORK PROTECTED UNDER THE FEDERAL COPYRIGHT LAWS. 1995

ROHS COMPLIANT
PER AAVID SPEC: ROHS - 9000



NOTES:

1. FINISH: PAINT PER AAVID SPEC PAINT-001 GROUP 1 (MATTE BLACK) (050365) EXCEPT FOR TABS.
2. TABS FREE OF PAINT PER OPT1, OPT2, OR OPT3.

FINISH	SEE NOTE #1
U/O	
MAT'L	042779
TOLERANCE	UNLESS NOTED
.XX	= ±.015 [±.38]
.XXX	= ±.010 [±.25]
ANGULAR	± 3°

B	5/1/08	UPDATE PAINT PER ECO# 30429	MIKEL
A	07/13/06	RELEASED PER ECN# 018965	SPS
REV.	DATE	DESCRIPTION	CHK'D

AAVID THERMALLOY
80 COMMERCIAL ST.
CONCORD, N.H.
03301

DRAWING NO. **043647**

STANDARD DESCRIPTION
STD,523002T00000G

DATE	DRAWN	ENGR.	APP'D	SCALE
12/04/03	SPS	SPS	SPS	2.000
				SHEET