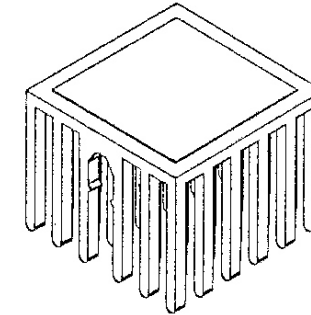
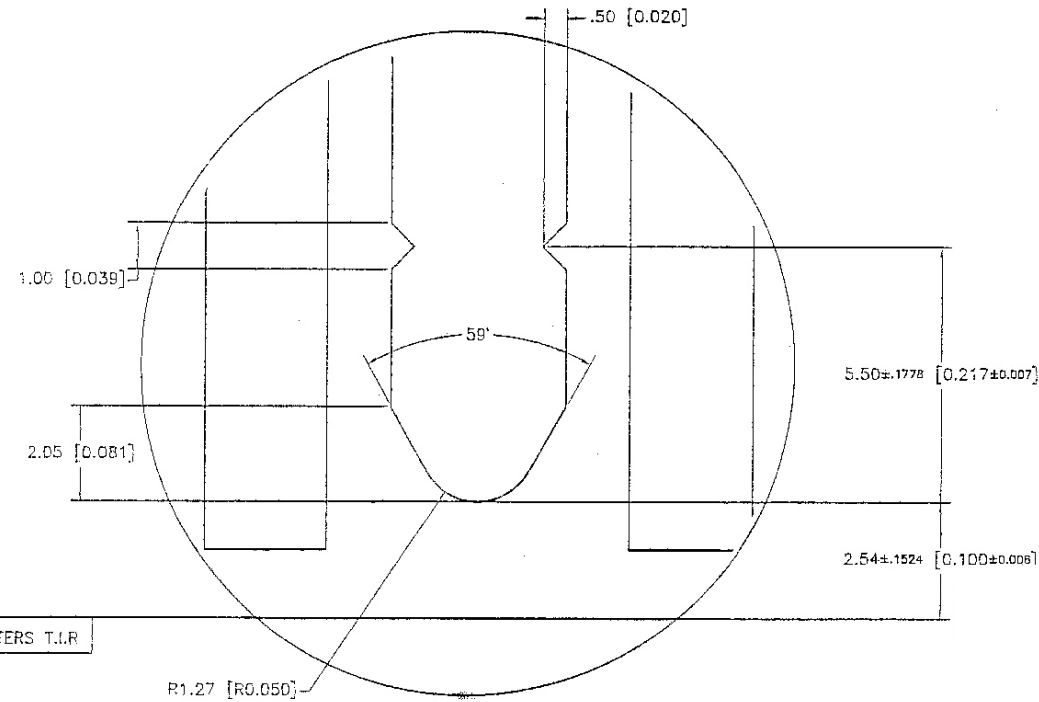
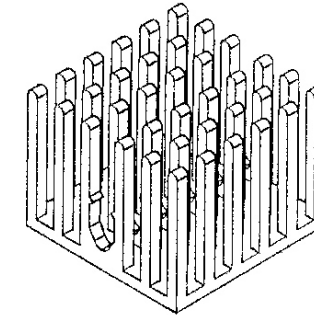
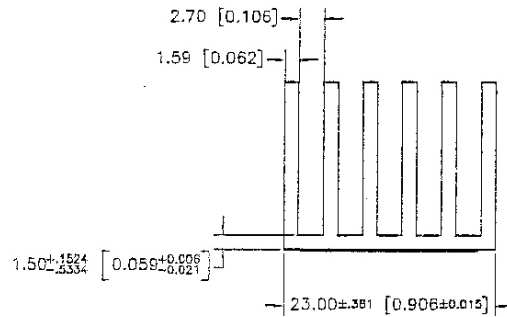
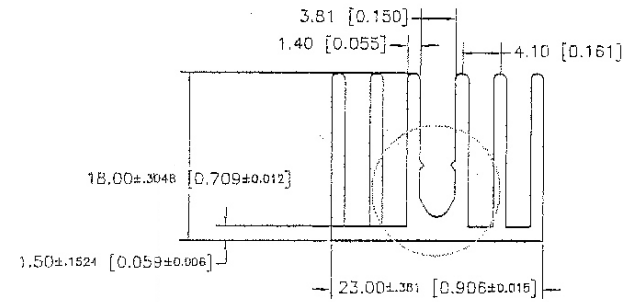


THIS DRAWING AND THE SPECIFICATIONS CONTAINED HEREIN ARE CONFIDENTIAL AND PROPRIETARY. THEY ARE THE PROPERTY OF Aavid THERMAL TECHNOLOGIES INC. AND SHALL NOT BE REPRODUCED OR COPIED OR USED IN WHOLE OR IN PART AS THE BASIS FOR THE MANUFACTURE OR SALE OF ITEMS WITHOUT WRITTEN PERMISSION. THIS IS AN UNPUBLISHED WORK PROTECTED UNDER THE FEDERAL COPYRIGHT LAWS. 1995



.0635 MILLIMETERS T.I.R

ROHS COMPLIANT
PER Aavid SPEC: ROHS - 9000

FINISH	BLACK ANODIZE
U/O	
MAT'L	6063-T5
TOLERANCE UNLESS NOTED	
.XX	= ±.015 [±.38]
.XXX	= ±.010 [±.25]
ANGULAR	± 3°

A	1/23/07	RELEASED PER ECN# 001836	SPS
REV.	DATE	DESCRIPTION	CHK'D
		AAVID THERMALLOY <small>80 COMMERCIAL ST. CONCORD, N.H. 03301</small>	
		DRAWING NO. 306307	
STANDARD DESCRIPTION BGA,374124B00000G			
DATE	DRAWN	ENGR.	APP'D
01/23/07	SPS	SPS	SPS
			SHEET