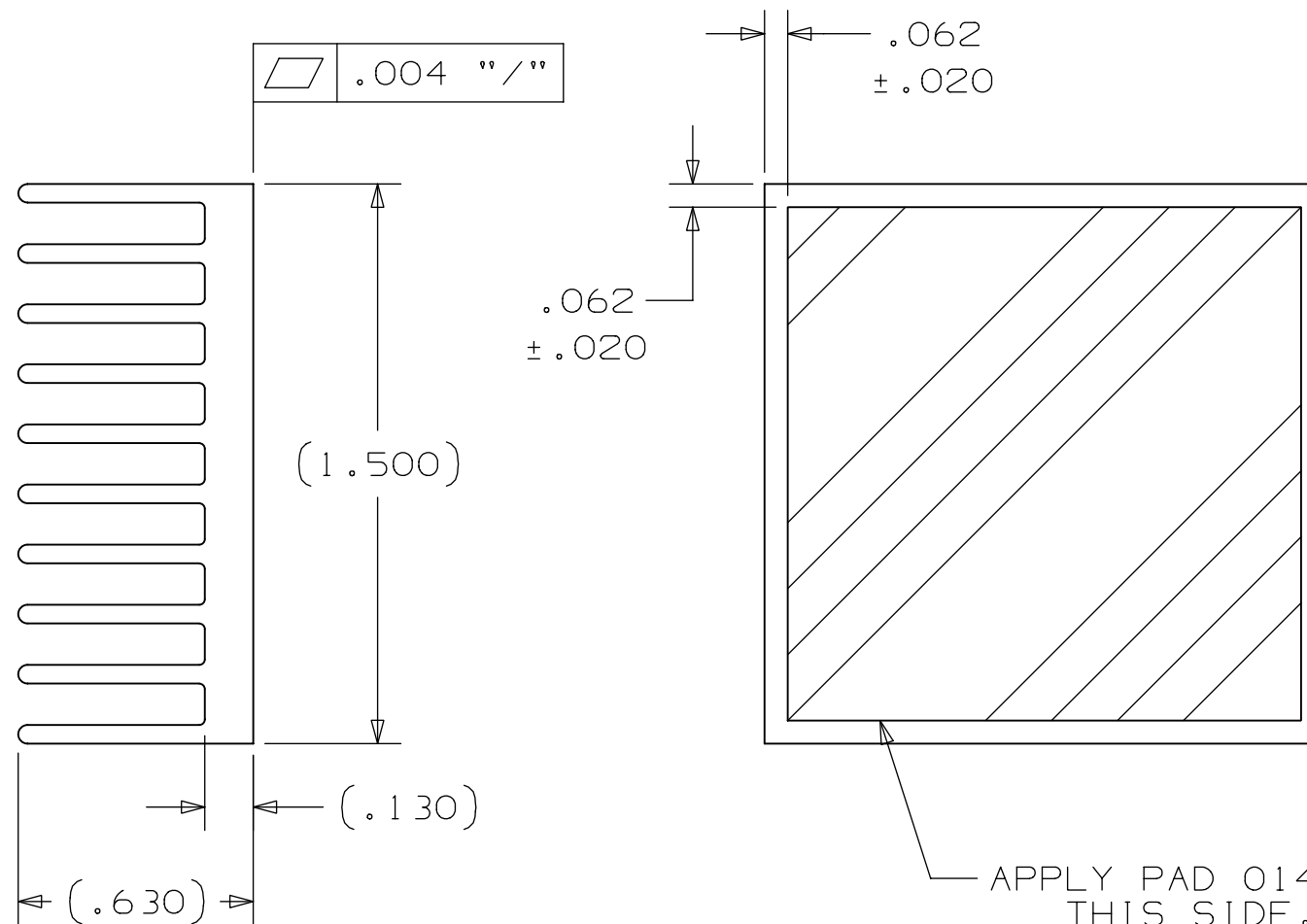
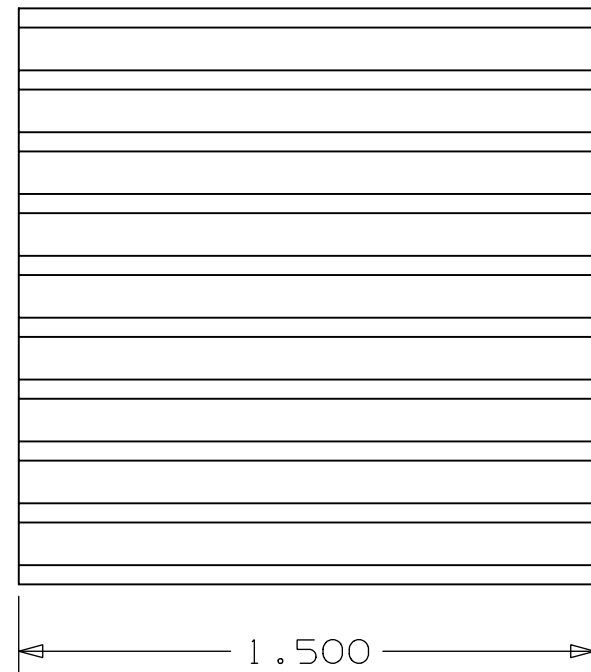


THIS DRAWING AND THE SPECIFICATIONS CONTAINED HEREIN ARE CONFIDENTIAL AND PROPRIETARY. THEY ARE THE PROPERTY OF AVID THERMAL TECHNOLOGIES INC. AND SHALL NOT BE REPRODUCED OR COPIED OR USED IN WHOLE OR IN PART AS THE BASIS FOR THE MANUFACTURE OR SALE OF ITEMS WITHOUT WRITTEN PERMISSION. THIS IS AN UNPUBLISHED WORK PROTECTED UNDER THE FEDERAL COPYRIGHT LAWS. 1995



B	8/26/98	RELEASED PER ECN #006942	
A	03/07/95	RELEASED PER ECN #146	RBL
REV.	DATE	DESCRIPTION	CHK'D



**AAVID**<sup>TM</sup>  
THERMAL TECHNOLOGIES, INC.

ONE KOOL PATH  
P.O. BOX 400  
LACONIA, N.H.  
03247-0400

FINISH	BLACK ANODIZE
U/O	
MAT'L	66365 (005225)
TOLERANCE	UNLESS NOTED
.XX±	.015
.XXX±	.010
ANGULAR±	3°

DRAWING NO.		000674		
STANDARD DESCRIPTION				
STD, 336614B00032				
DATE	DRAWN	CHK'D	APP'D	SCALE
07/20/94	PAUL C	BL		2 TO 1
SHEET				