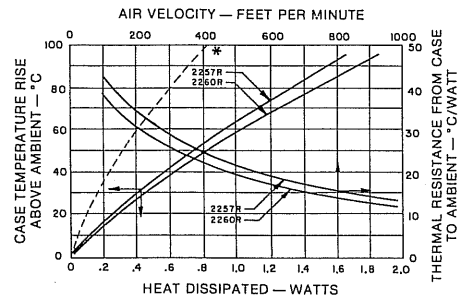
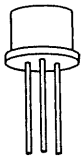
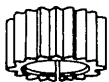


2257, 2260

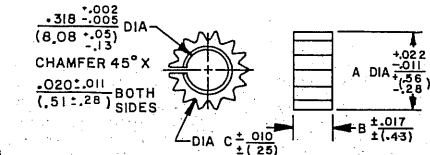
Low Cost Press on Cooler — TO-5 Case . . .
 The 2257 and 2260 are low cost heat sinks for TO-5 transistors. The press-fit between the transistor and the heat sink provides an excellent path for heat conduction.



*For TO-5 case without heat sink.



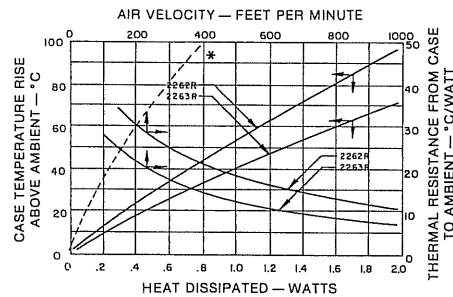
MODEL	FINISH	WEIGHT
2257R	Red Anodize	.0016
2257B	Black Anodize	.0016
2260R	Red Anodize	.0025



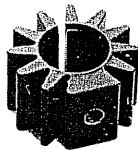
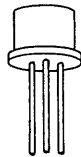
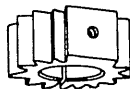
	Dia. A	Dim. B	Dia. C
2257R	.500	.250	.396
2260R	.500	.375	.396

2262, 2263

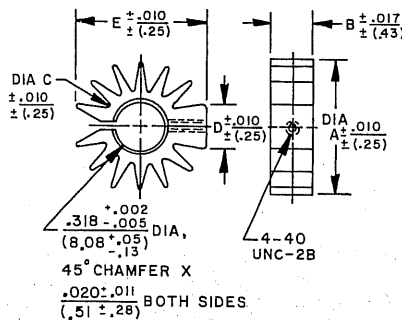
Low Cost Screw Mount — TO-5 Case . . .
 The 2262 and 2263 are low cost heat sinks for TO-5 transistors which provide circuit board mounting by means of a tapped through hole.



*For TO-5 case without heat sink.



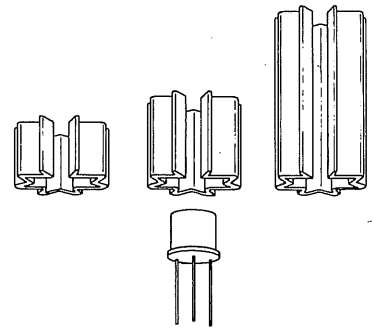
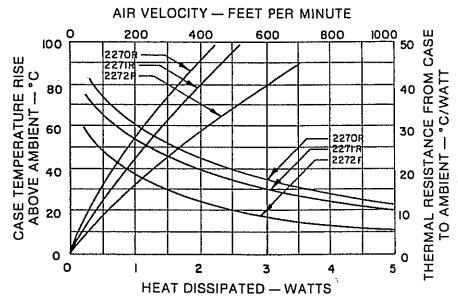
MODEL	FINISH	WEIGHT
2262R	Red Anodize	.0027
2263R	Red Anodize	.0073



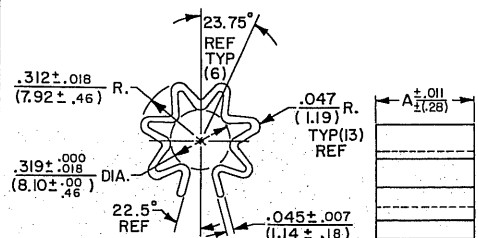
	Dia. A	Dim. B	Dia. C	Dim. D	Dim. E
2262R	.602	.250	.419	.250	.602
2263R	.750	.437	.440	.312	.750

2270, 2271, 2272

Low Cost Press On Cooler — TO-5 case . . .
 The 2270, 2271 and 2272 are low cost press on gear heat sinks that eliminate expensive machining operations previously required on other types of gear heat sinks. The 2270 and 2271 can be installed without insertion tools whereas the 2272 requires the use of conventional snap ring pliers (available through factory for convenience — P/N 14878).



MODEL	FINISH	WEIGHT
2270R	Red Anodize	.0023 lbs.
2271R	Red Anodize	.0047 lbs.
2272R	Red Anodize	.0094 lbs.



MODEL	DIM. A
2270R	.250 (6.35)
2271R	.500 (12.70)
2272R	1.000 (25.40)